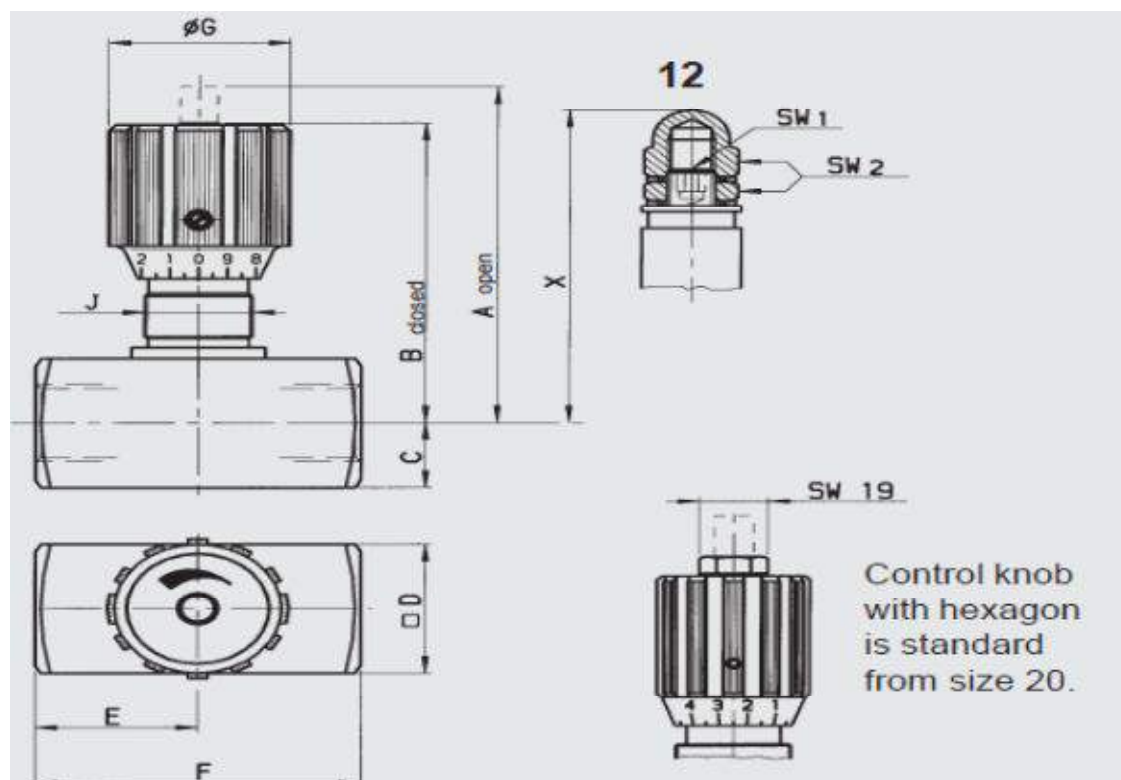


# THROTTLE VALVE ( WITHOUT CHECK VALVE )



FEMALE X FEMALE THREADS - BSP / NPT



VE-LOCK PART CODE	Nominal Size = DN	G1 BSP	A	B	C	D	E	F	G	X	SW1	SW2
			VE TV 1/8	6	G 1/8	55	50	8	16	19	38	24
VE TV 1/4	8	G 1/4	72	65	12.5	25	24	48	29	65	3	10
VE TV 3/8	10	G 3/8	74	67	15	30	29	58	29	71	4	13
VE TV 1/2	12	G 1/2	92	82	17.5	35	34	68	38	86	5	17
VE TV 3/4	16	G 3/4	106	96	22.5	45	39	78	38	105	6	19
VE TV 1	20	G 1	145	128	25	50	54	108	49	129	8	24
VE TV 1 1/4	25	G 1 1/4	150	133	30	60	54	108	49	134	8	24
VE TV 1 1/2	30	G 1 1/2	155	138	35	70	54	108	49	139	8	24
VE TV 2	40	G 2	165	148	45	90	65	130	49	.....	.....	.....

VE-LOCK PART CODE	Nominal Size = DN	FLOW RATE
		L/MIN
VE TV 1/8	6	20 L/MIN.
VE TV 1/4	8	50 L/MIN
VE TV 3/8	10	60 L/MIN
VE TV 1/2	12	90 L/MIN
VE TV 3/4	16	180 L /MIN
VE TV 1	20	300 L /MIN
VE TV 1 1/4	25	300 L /MIN
VE TV 1 1/2	30	300 L /MIN
VE TV 2	40	300 L /MIN

Nominal Pressure
NP = 350 bar
Across All ports

Fluid temprature Range
Min -20 <sup>0</sup> C + 80 <sup>0</sup> C

Viscosity Range
Min - 2.8 mm <sup>2</sup> /s
Max - 800 mm <sup>2</sup> /s